

FCR CAPSULA X ^{NEW}

FUJI COMPUTED RADIOGRAPHY

*Extremely clear and optimal imaging founded on extensive experience.
Introducing the new epochal and compact FCR from Fujifilm.*



FUJIFILM FCR CAPSULA X Specifications

Standard Components:

- FCR CAPSULA X Image Reader (Model: CR-IR 357)
- AC power cord

Other System Components:

- IP cassette type CC, LC
- CR Console
- Image Recorder : DRYPIX 1000/3000/4000/7000

Supplies:

Imaging Plate:

- ST-VI: 14" x 17", 14" x 14", 10" x 12", 8" x 10", 15 x 30 cm (Inch settings)
35 x 43cm, 35 x 35cm, 24 x 30 cm, 18 x 24 cm, 15 x 30 cm (Metric settings)

IP Cassette:

- Type CC: 14" x 17" (35.4 x 43 cm), 14" x 14" (35.4 x 35.4 cm), 10" x 12", 8" x 10",
24 x 30 cm, 18 x 24 cm, 15 x 30 cm
- Type LC: 35.4 x 124.5 cm, 35.4 x 101.7 cm, 35.4 x 83 cm, 25.2 x 58 cm,
24 x 57 cm

Time Required for IP Feed/Load:

IP Type	Required Time
14" x 17" (35 x 43 cm)	Approx. 82 sec.
14" x 14" (35 x 35 cm)	Approx. 72 sec.
10" x 12"	Approx. 66 sec.
8" x 10"	Approx. 53 sec.
24 x 30 cm	Approx. 66 sec.
18 x 24 cm	Approx. 50 sec.
15 x 30 cm	Approx. 65 sec.

- The time required for changing the cassette is assumed to be 0 (zero) seconds.
- The time required for image erasure is assumed to be for exposure performed at 25 mR of X-ray dose.

Processing Capacity

IP Type	When connected to DRYPIX 7000/CR Console Plus
14" x 17" (35 x 43 cm)	Approx. 43 IPs/hr.
14" x 14" (35 x 35 cm)	Approx. 50 IPs/hr.
10" x 12"	Approx. 54 IPs/hr.
8" x 10"	Approx. 67 IPs/hr.
24 x 30 cm (ST)	Approx. 54 IPs/hr.
18 x 24 cm (ST)	Approx. 72 IPs/hr.
15 x 30 cm (ST)	Approx. 55 IPs/hr.

- The time required for changing the cassette is assumed to be 0 (zero) seconds.
- The time required for image erasure is assumed to be for exposure performed at 25 mR of X-ray dose.

Time to Print on DRYPIX 7000 through network via CR Console:

Approx. 135 sec. (35 x 43 cm)

Time To Display on CR Console:

- 35 x 43 cm: Approx. 52 sec.
- 18 x 24 cm: Approx. 31 sec.

Number of Stackers: 1

Reading Gray Scale: 12 bits

Network: 10 Base T/100 Base TX

Dimensions (W x D x H): 590 x 380 x 810 mm (23" x 15" x 32")

Weight: 99 kg (218 lbs.)

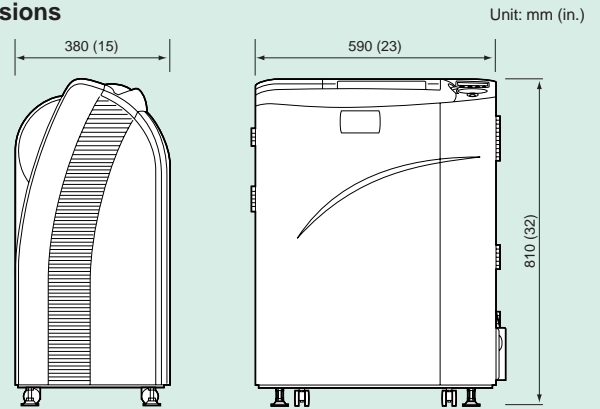
Power Supply Conditions:

Single phase 50-60Hz
120-240V ±10%
5A (max)

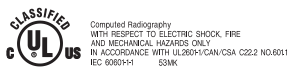
Environmental Conditions:

- Operating Conditions:
Temperature: 15-30°C
Humidity: 15-80%RH (No dew condensation)
- Non-operating Conditions:
Temperature: 0-45°C
Humidity: 10-90%RH (No dew condensation)

Dimensions



IP Cassette Type CC



Specifications and PC requirements are subject to change without notice.
All brand names or trademarks are the property of their respective owners.



FUJI PHOTO FILM CO., LTD.

26-30, NISHIAZABU 2-CHOME, MINATO-KU, TOKYO 106-8620, JAPAN